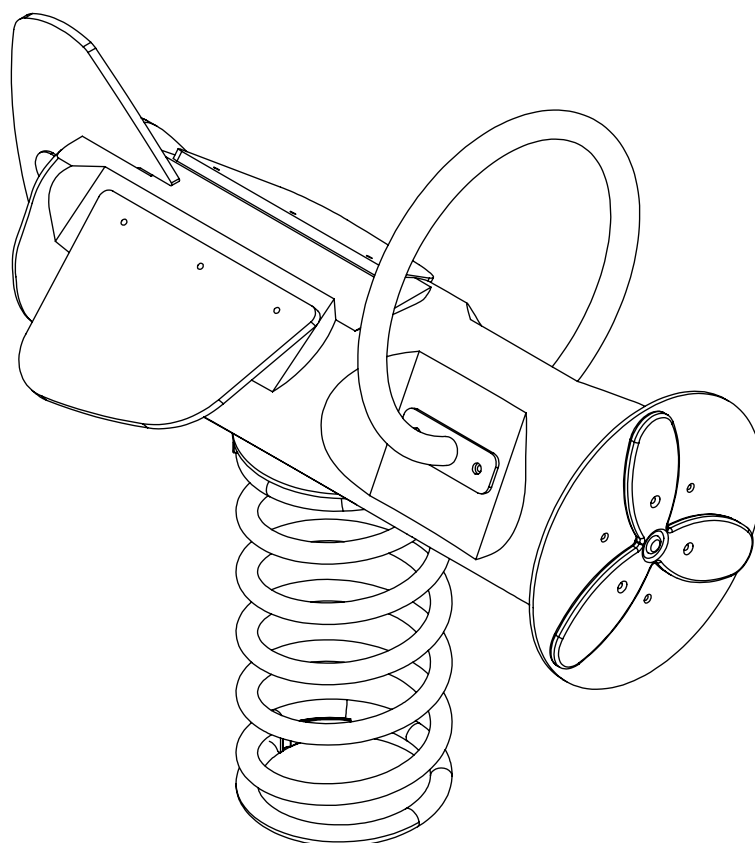
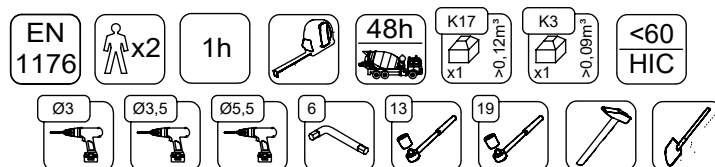


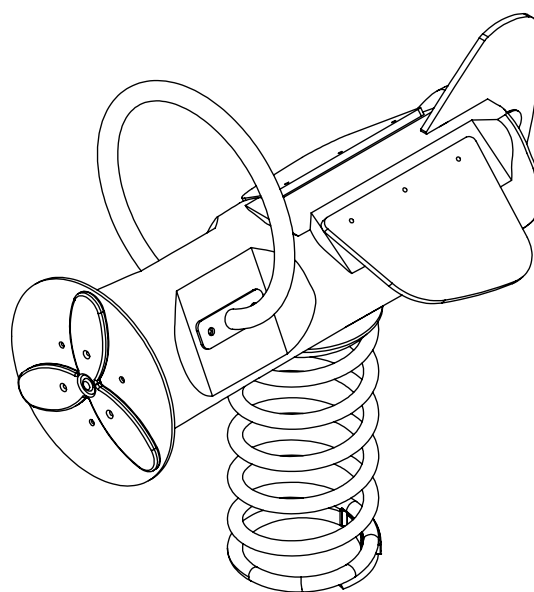
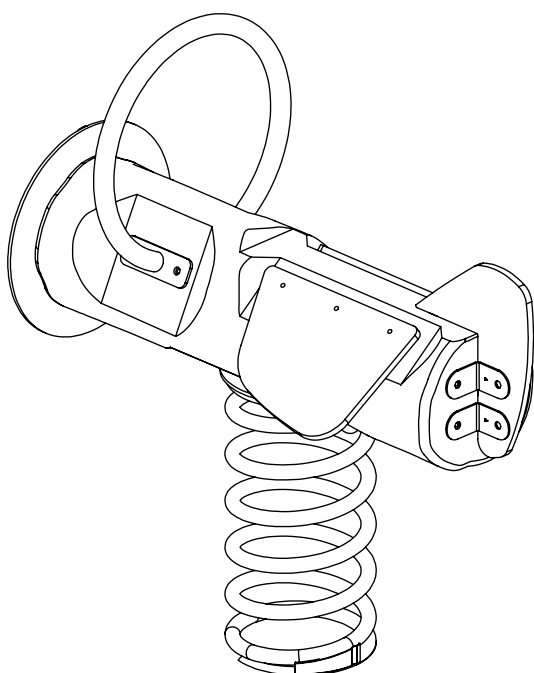
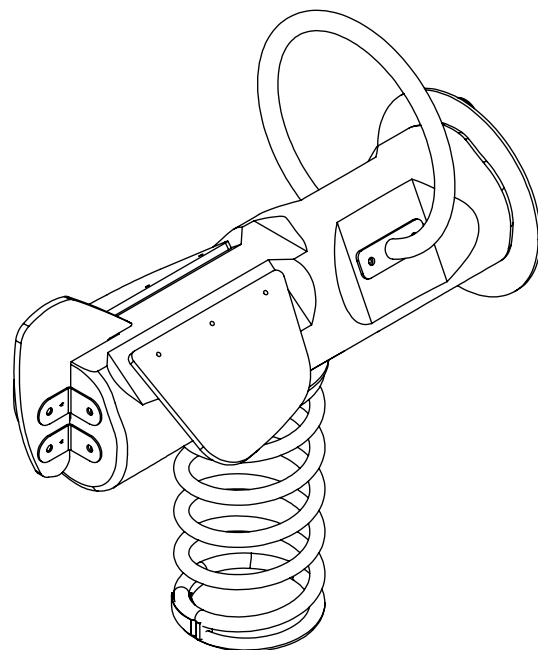
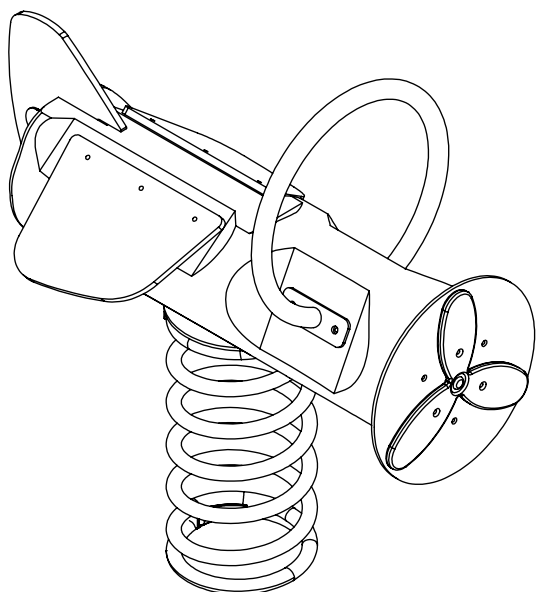
# RB1363



v011  
08.02.2022  
D. P.  
[cm]

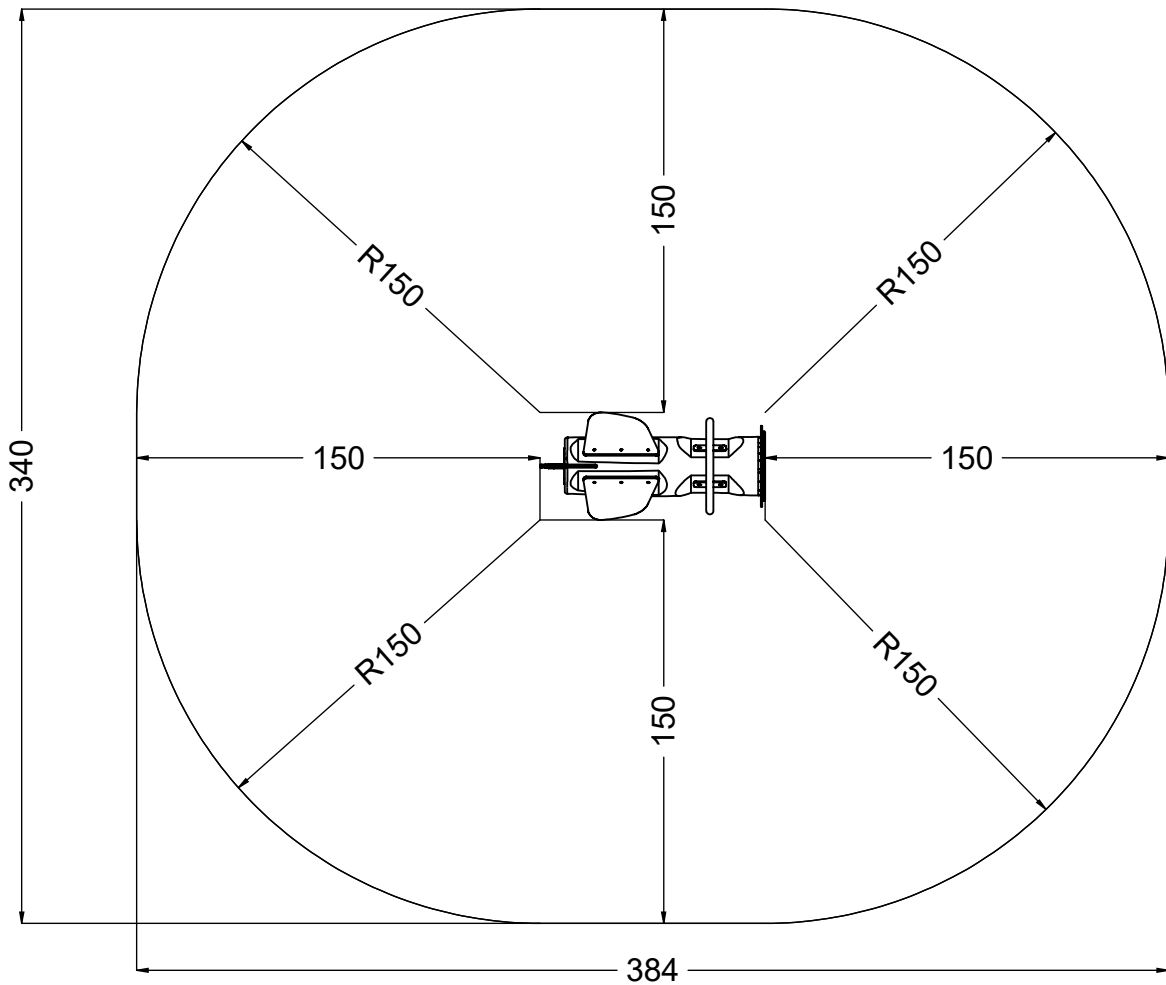
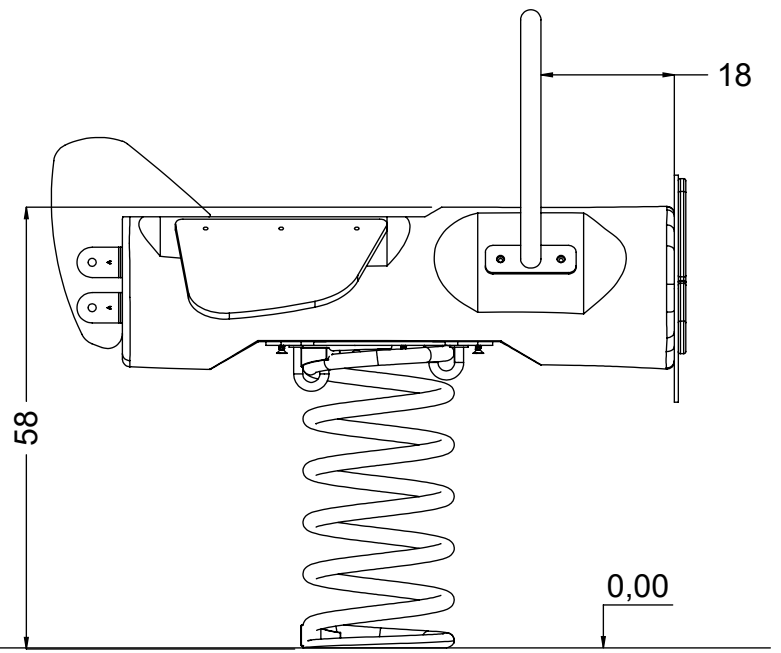
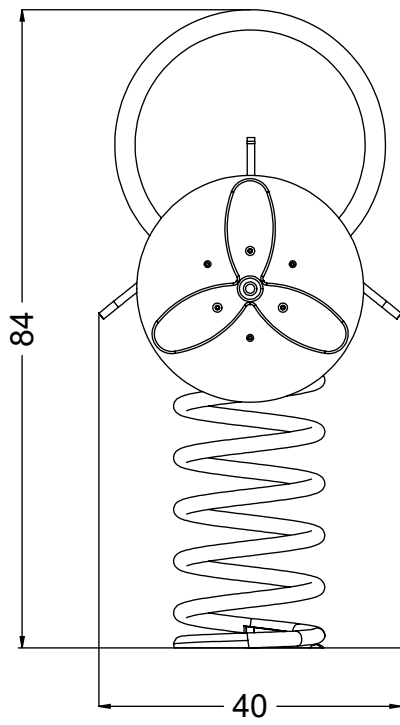


vinci  
play



[cm]

vinci  
play

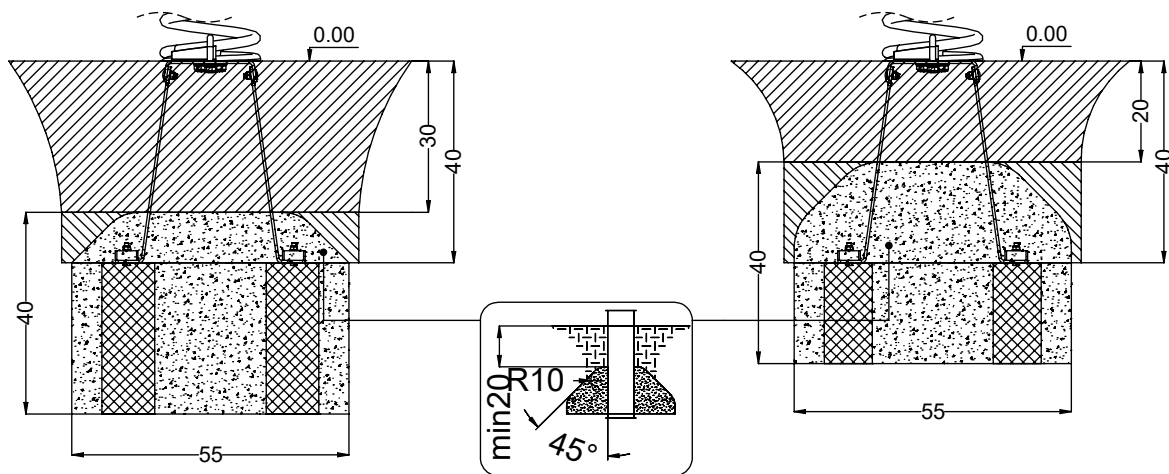


[cm]






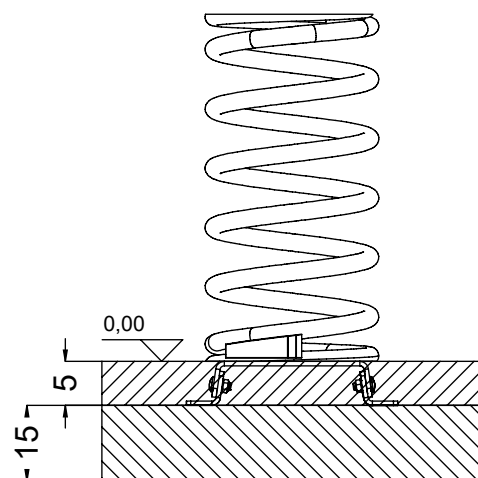
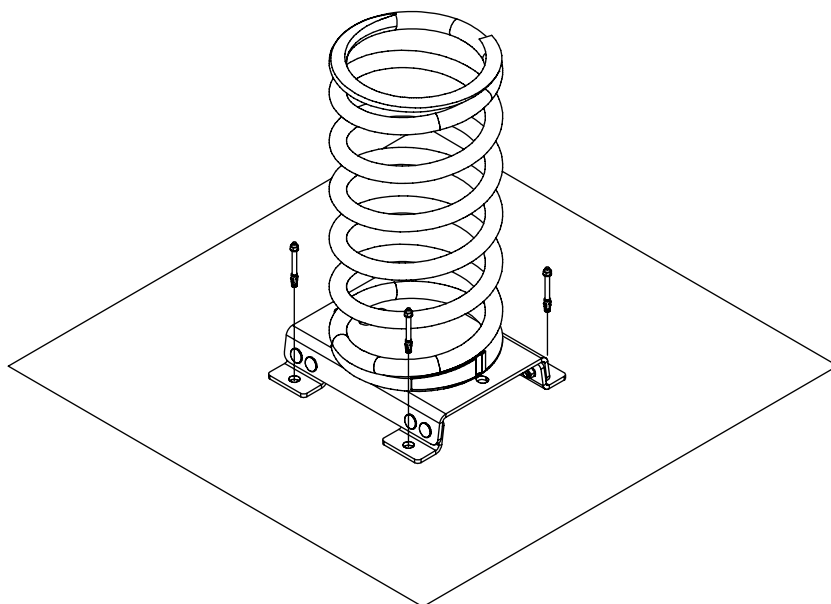
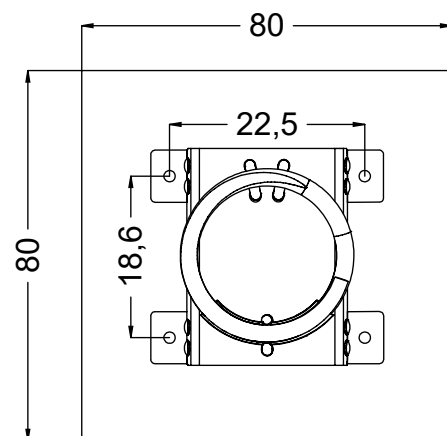
vinci  
play

# K17



# K3

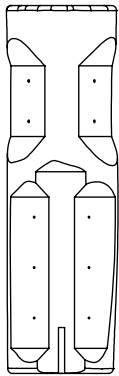
	K3
M10x120 x4	
NOT INCLUDED	



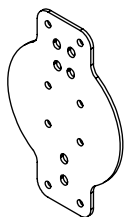
[cm]



vinci  
play



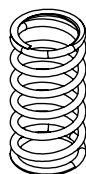
127335  
x1



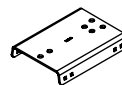
B393  
x1



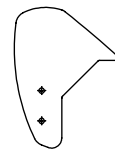
122105  
x1



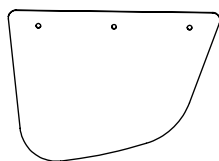
996171  
x1



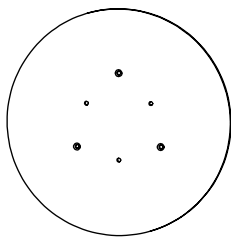
B239  
x1



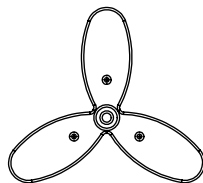
121123  
x1



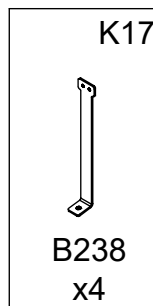
126107  
x2



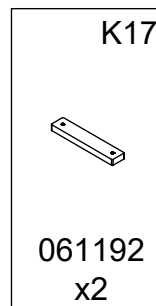
121121  
x1



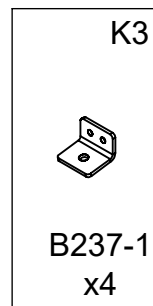
121122  
x1



K17  
B238  
x4

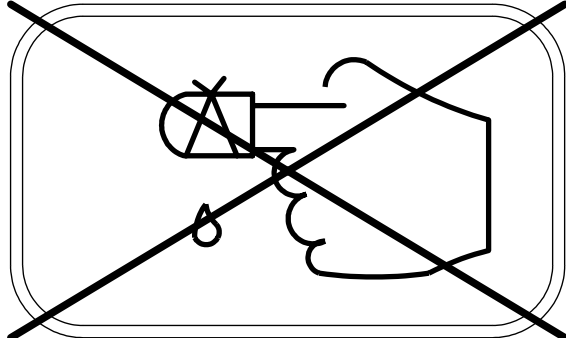
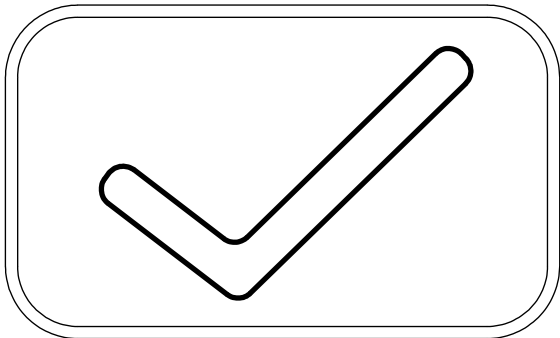
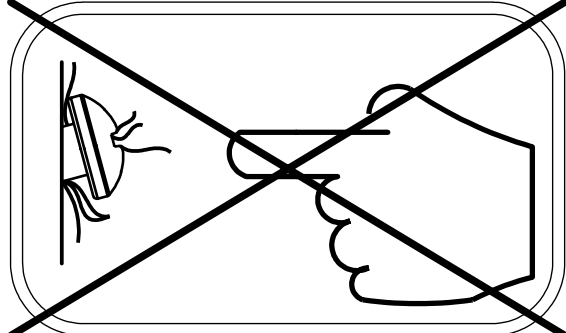
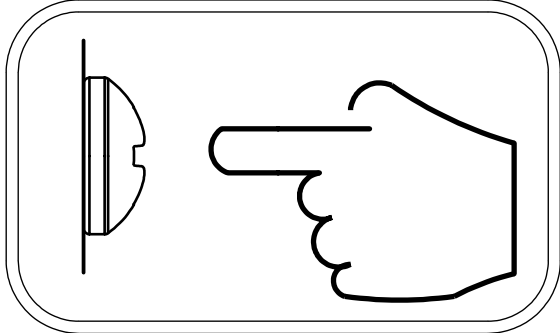
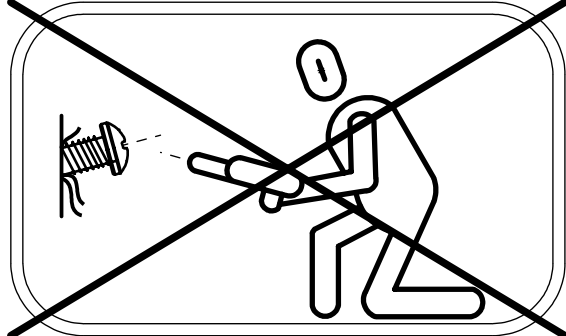
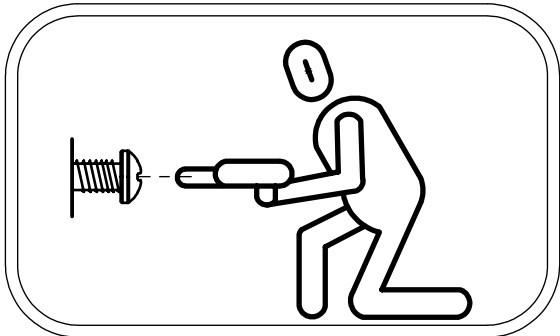


K17  
061192  
x2

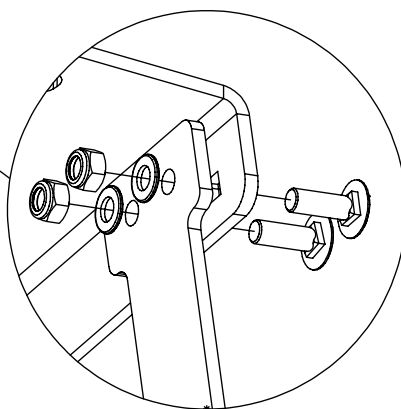
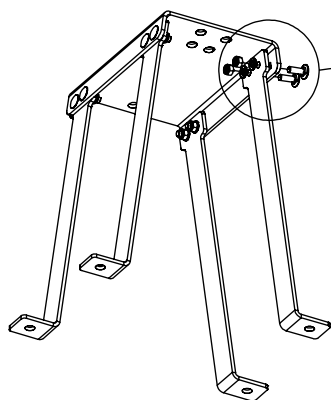


K3  
B237-1  
x4

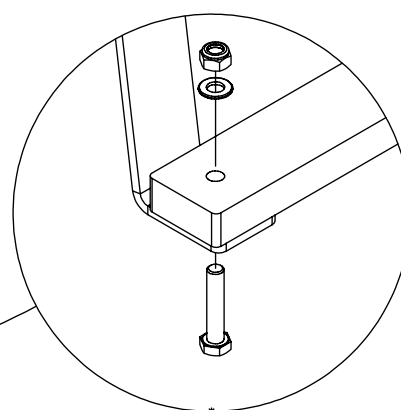
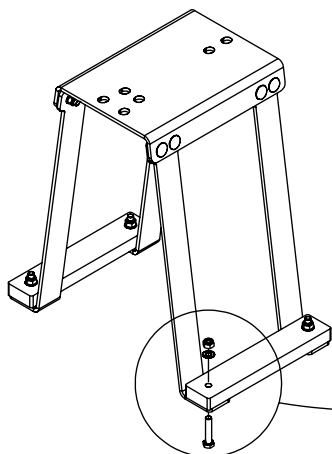
1x	SP3 (K17)
1x	SP1
2x	SP2
1x	12e067
6x	5x50 sxs
6x	7x35sxi
16x	8x50 sxi
1x	V001



K17

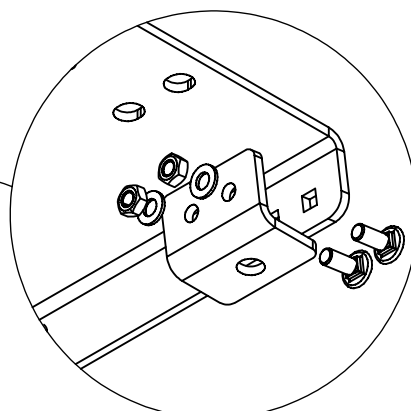
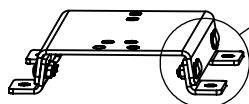


SP1 x1



SP3 x1

K3

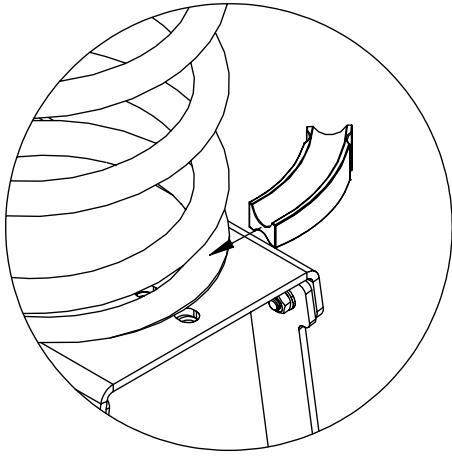


SP1 x1

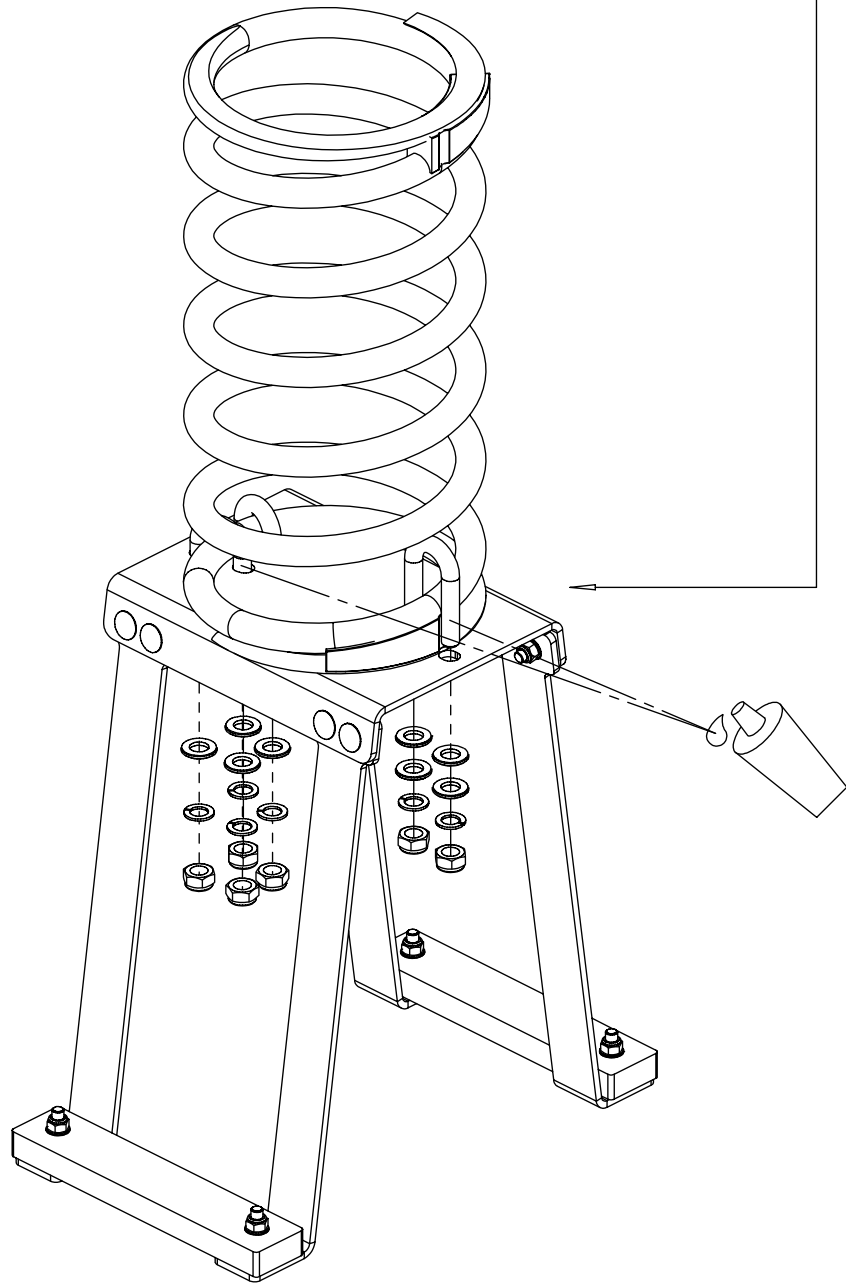
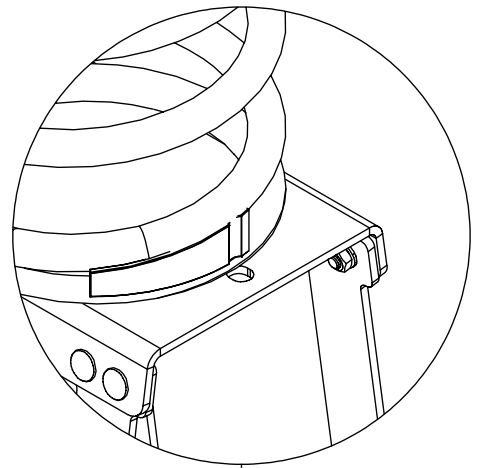
[cm]



vinci  
play



SP2 x1



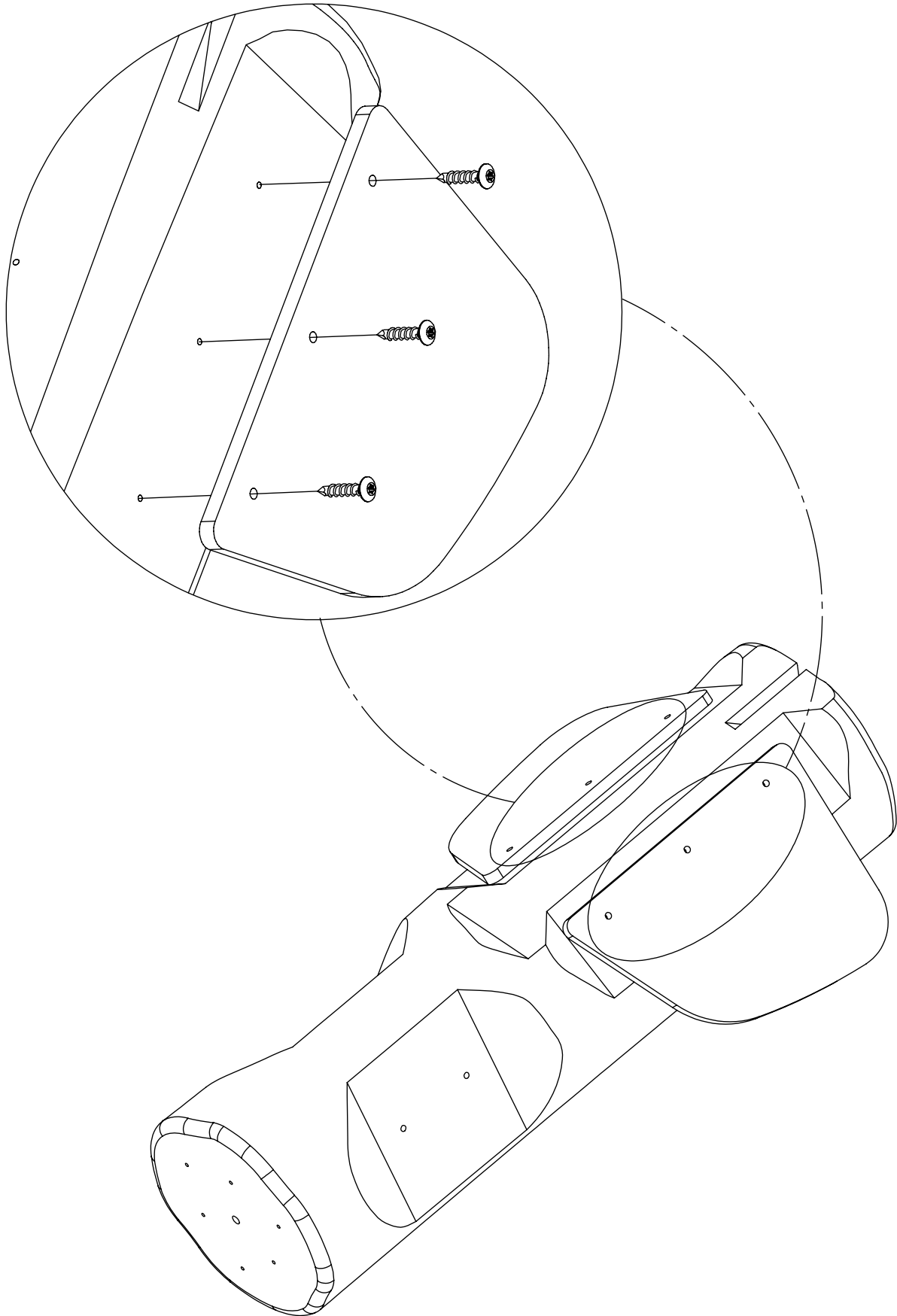
[cm]



vinci  
play

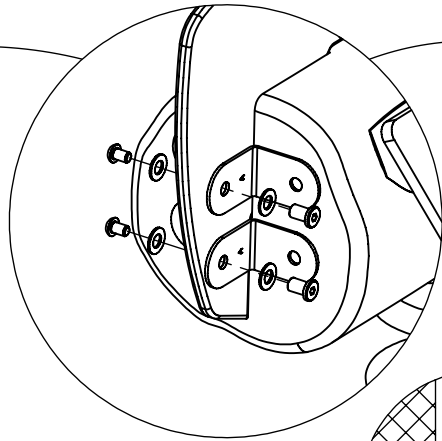
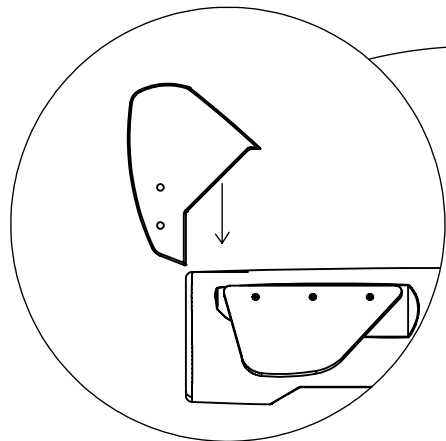


6x 7x35sxi

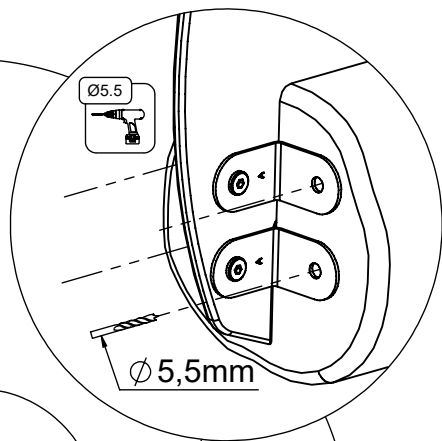
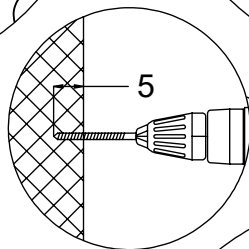


[cm]

vinci  
play

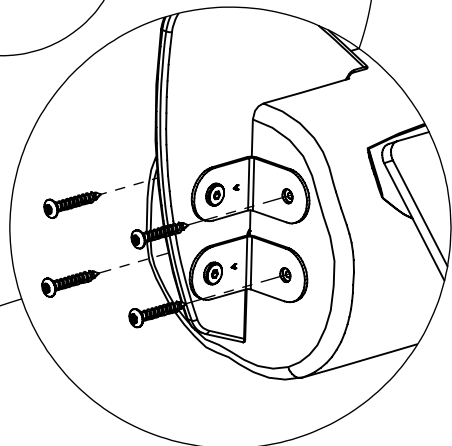


1x 12e067

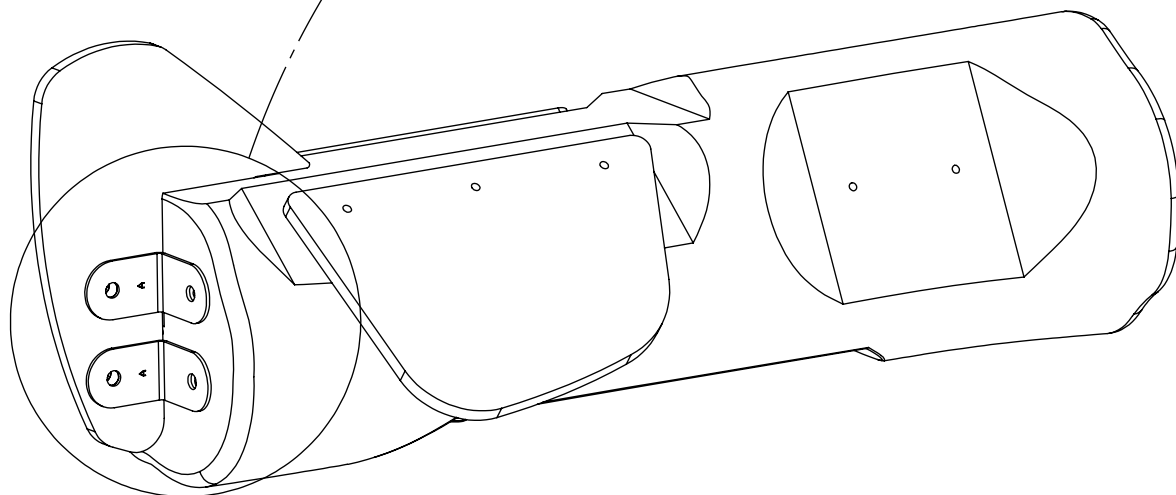


Ø5.5

Ø5,5mm



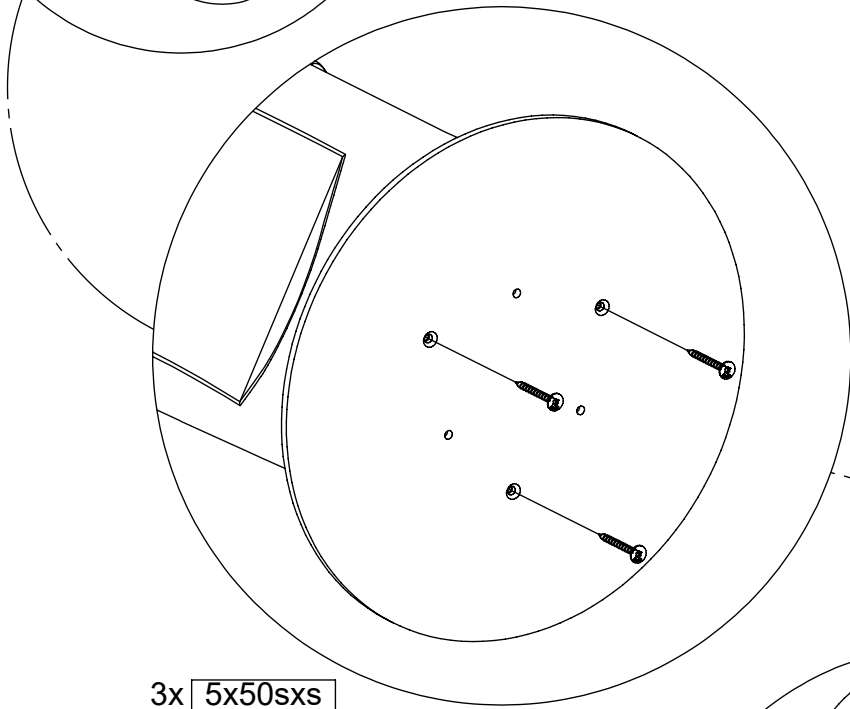
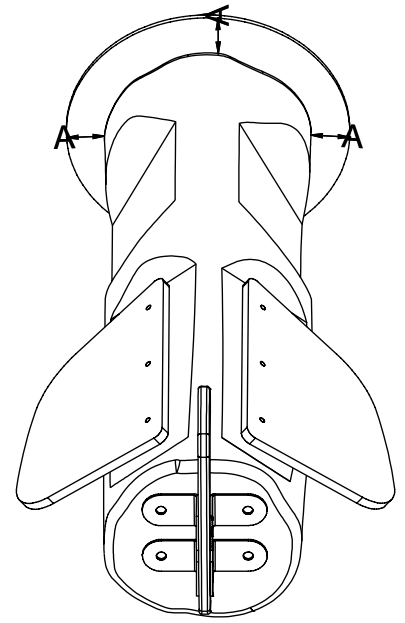
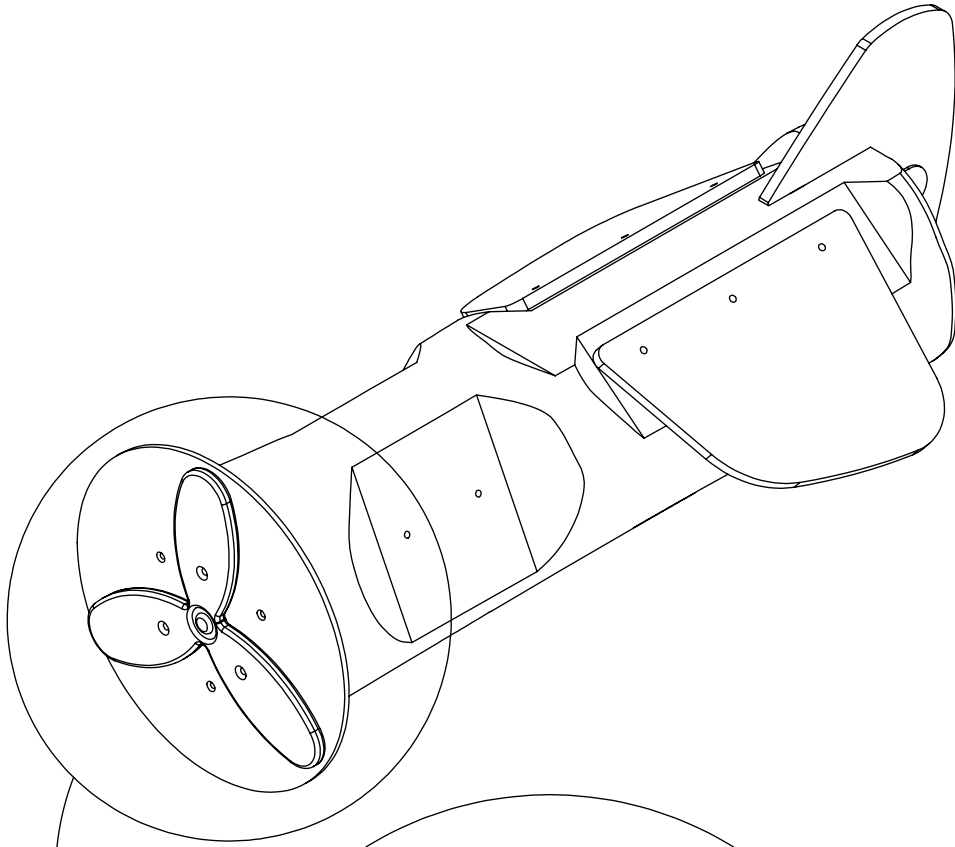
4x 8x50sxi



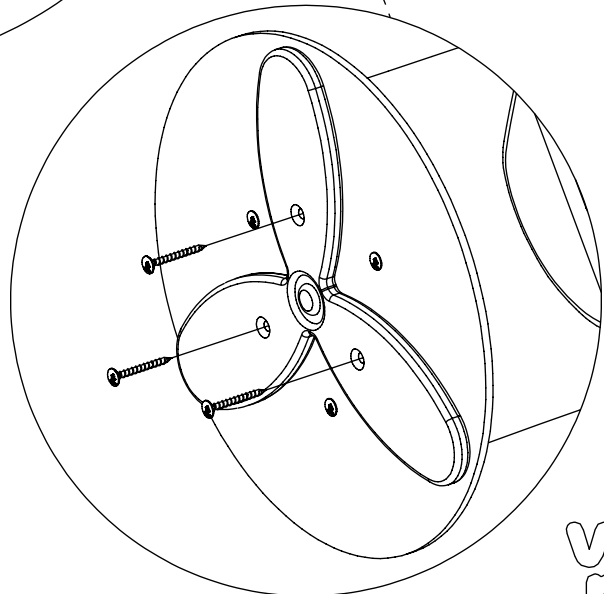
[cm]

vinci  
play

A=A=A



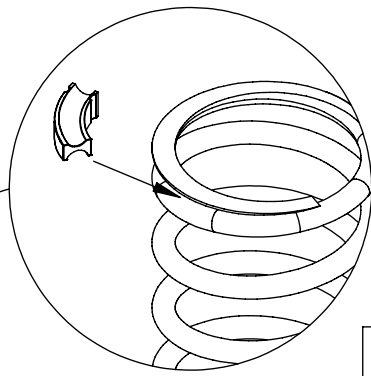
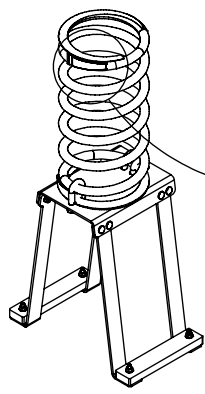
3x 5x50sxs



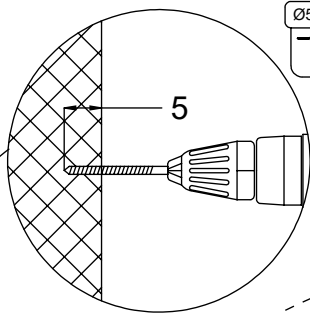
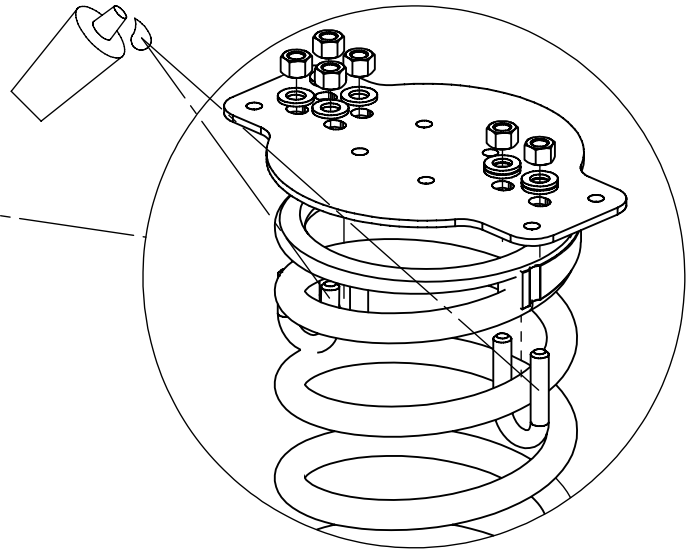
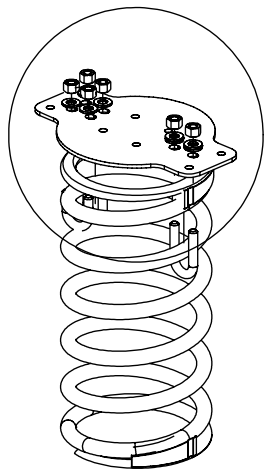
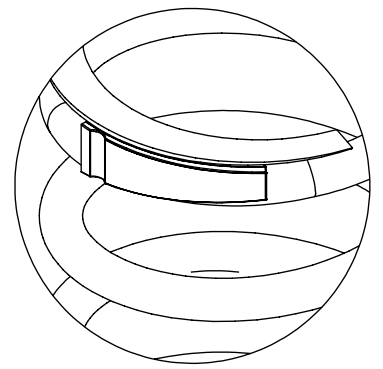
3x 5x50sxs

[cm]

vinci  
play

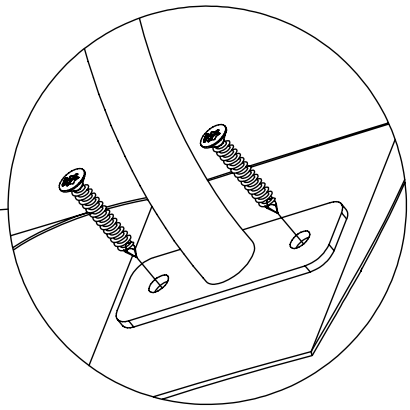


SP2 x1

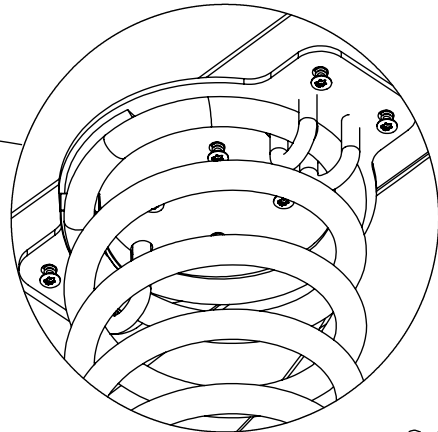
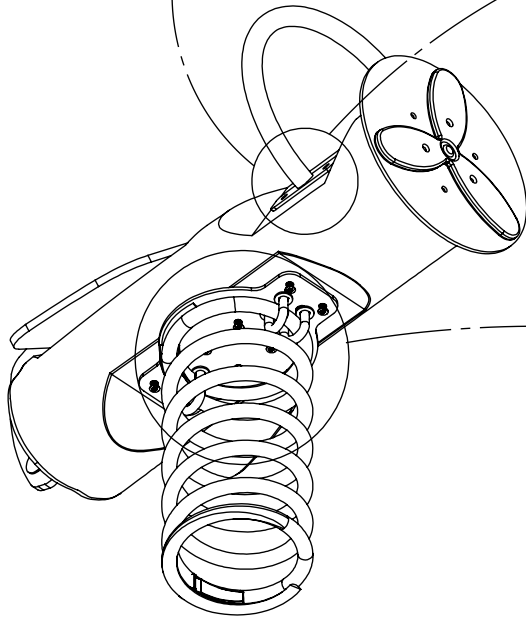


Ø5.5

5



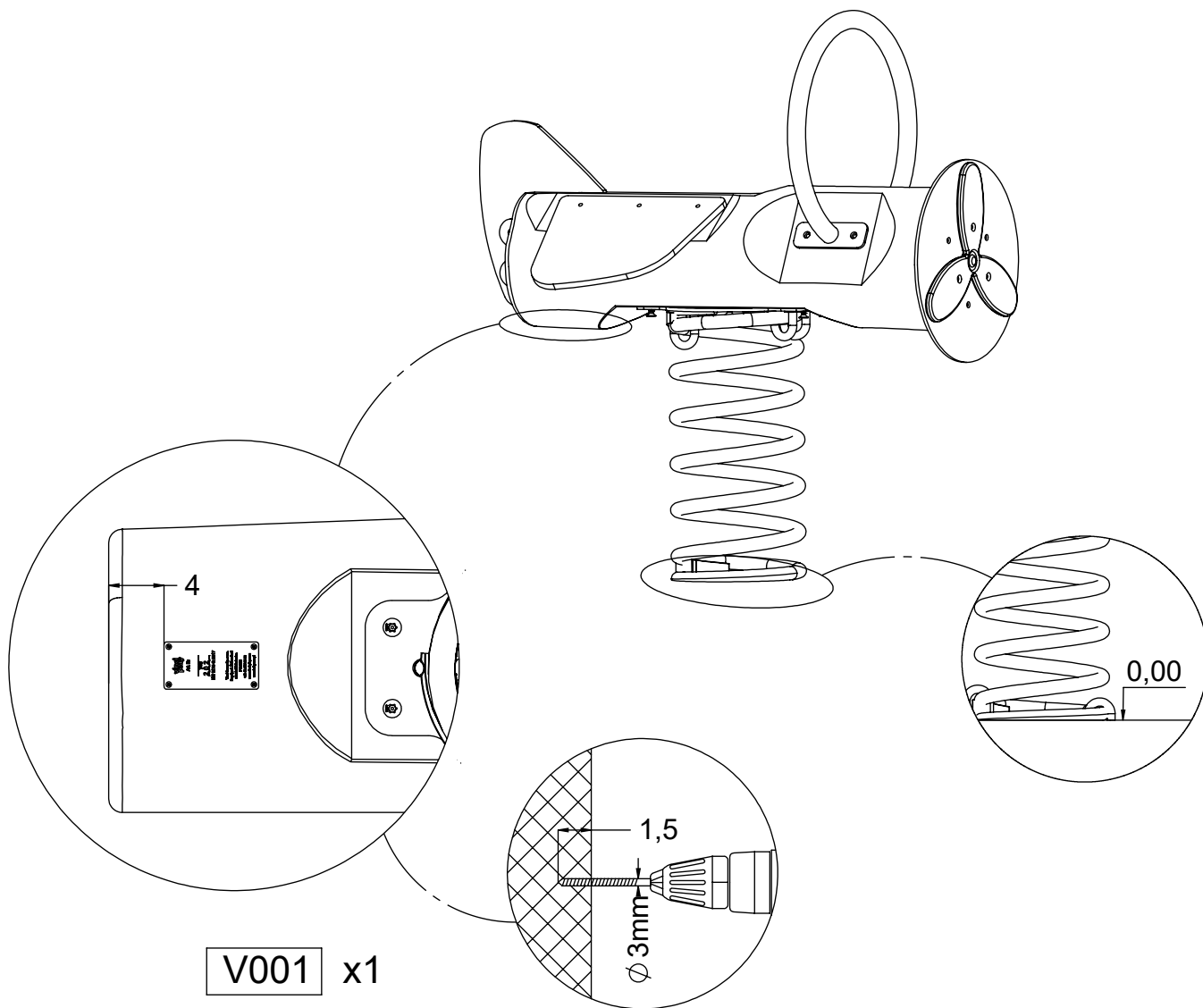
12x 8x50sxi



[cm]



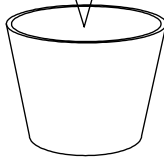
vinci  
play



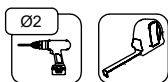
**V001** x1

**Part No:**  
**000000-00000**

000000-00000



[mm]



vinci  
play